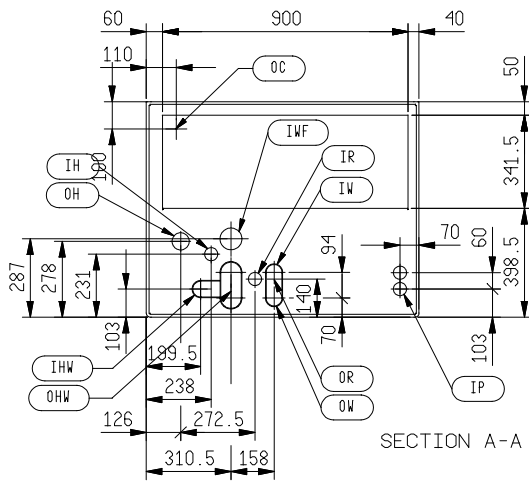
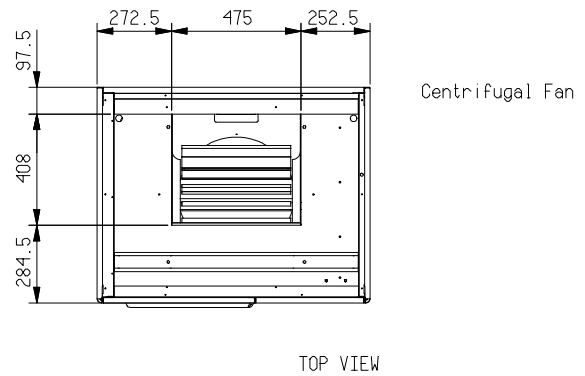
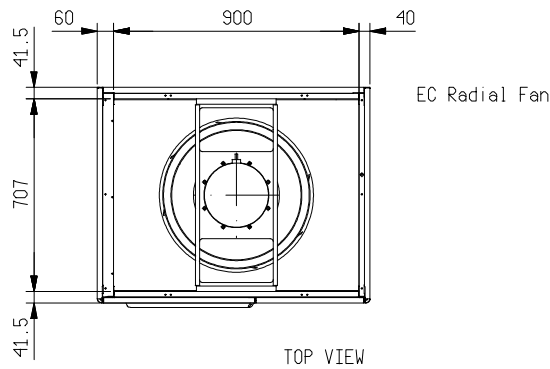


REAR VIEW  
OPTION  
REAR AIR INTAKE  
ONLY WITH EC Radial Fan



ITALIANO	ENGLISH
IR: IN refrigerante AX-AD	IR: IN refrigerant AX-AD
OR: OUT refrigerante AX-AD	OR: OUT refrigerant AX-AD
IW: IN acqua cond AW	IW: IN water cooled AW
OW: OUT acqua cond. AW-AT-AF	OW: OUT water cooled AW-AT-AF
IWF: IN acqua AF-AT	IWF: IN water AF-AT
IP: IN alimentazione elettrica	IP: IN power supply
IH: IN umidificatore	IH: IN humidifier water
OH: OUT umidificatore	OH: OUT humidifier water
IHW: IN acqua calda	IHW: IN hot water
OHW: OUT acqua calda	OHW: OUT hot water
OC: OUT scarico condensa	OC: OUT condensate water drain

Version : AX - AW - AF - AT - AD  
Model : 20-26-29  
Air flow configuration: UNDER

